

DESCRIPTION

The GLF4028 is an integrated power multiplexer switch with dual independent power switches connected to a single output pin to enable seamless transition between two input sources.

The GLF4028 provides a manual selection mode by the combination of the logic input pins of EN and SEL. The EN input pin is used along with the select (SEL) input pin to select VIN1 only, select VIN2 only, or turn both switches off.

The GLF4028 features an ultra-efficient I_{QSmart}^{TM} technology that offers quiescent current (I_Q) and shutdown current (I_{SD}) in the industry. Low R_{ON} reduces conduction losses while low I_Q and I_{SD} solutions help designers to reduce parasitic leakage current, improve system efficiency, and increase battery lifetime.

The GLF4028 blocks any cross-conduction current between two input power sources. When the switch is disabled, the GLF4028 prevents the reverse current to the input source from the output at any higher V_{OUT} than V_{IN} condition.

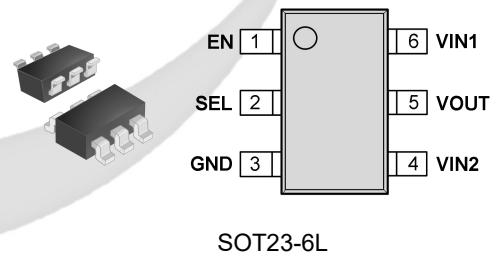
APPLICATIONS

- Smart Devices
- Smart Home Electronics

FEATURES

- Two-Input and Single-Output Power Multiplexer Switch
- Supply Voltage Range: 2.5 V to 5.5 V
- R_{ON} : 97 m Ω Typ. at 5.5 V $_{IN1}$ or V $_{IN2}$
105 m Ω Typ. at 4.5 V $_{IN1}$ or V $_{IN2}$
- 2 A Continuous Output Current Capability Per Channel
- Ultra-Low Supply Current at Operation
 I_Q : 3 μ A Typ at 5.5 V $_{IN}$
- Ultra-Low Stand-by Current
 I_{SD} : 5 nA Typ at 5.5 V $_{IN}$
- Smart Control Pins
 I_{EN} and I_{SEL} : 3 nA Typ at V $_{EN}$ or V $_{SEL}$ > V $_{IH}$
 R_{EN} and R_{SEL} : 500 k Ω Typ
- No Cross Conduction Between Two Inputs
- Reverse Current Blocking when Disabled
- Operating Temperature Range: -40 °C to 85 °C
- HBM: 6 kV, CDM: 2 kV

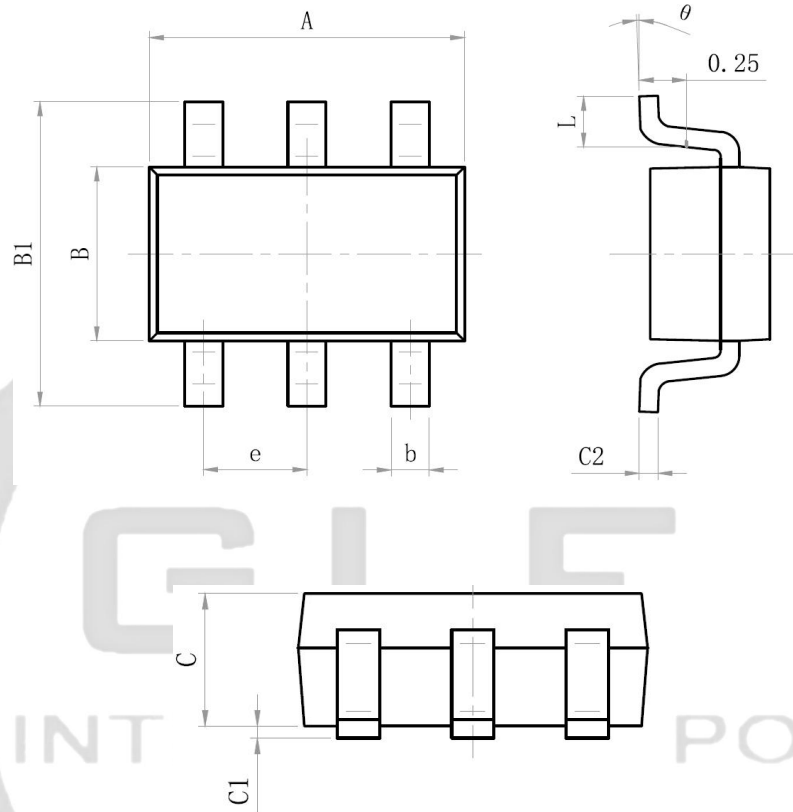
PACKAGE



DEVICE ORDERING INFORMATION

Part Number	Top Mark	R_{ON} at 5.5 V $_{IN}$	Output Current, I_{OUT}	Ultra-low I_Q at 5.5 V $_{IN}$
GLF4028-T2G7	EP	97 m Ω	2 A	3 μ A

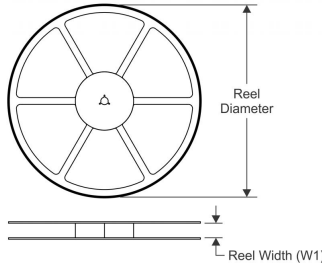
PACKAGE OUTLINE



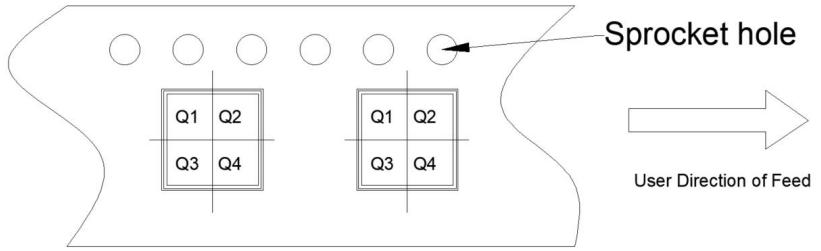
Size Mark	Min (mm)	Max (mm)	Size Mark	Min (mm)	Max (mm)
A	2.82	3.02	C	1.05	1.15
e	0.95 (BSC)		C1	0.03	0.15
b	0.28	0.45	C2	0.12	0.23
B	1.50	1.70	L	0.35	0.55
B1	2.60	3.00	theta	0°	8°

TAPE AND REEL INFORMATION

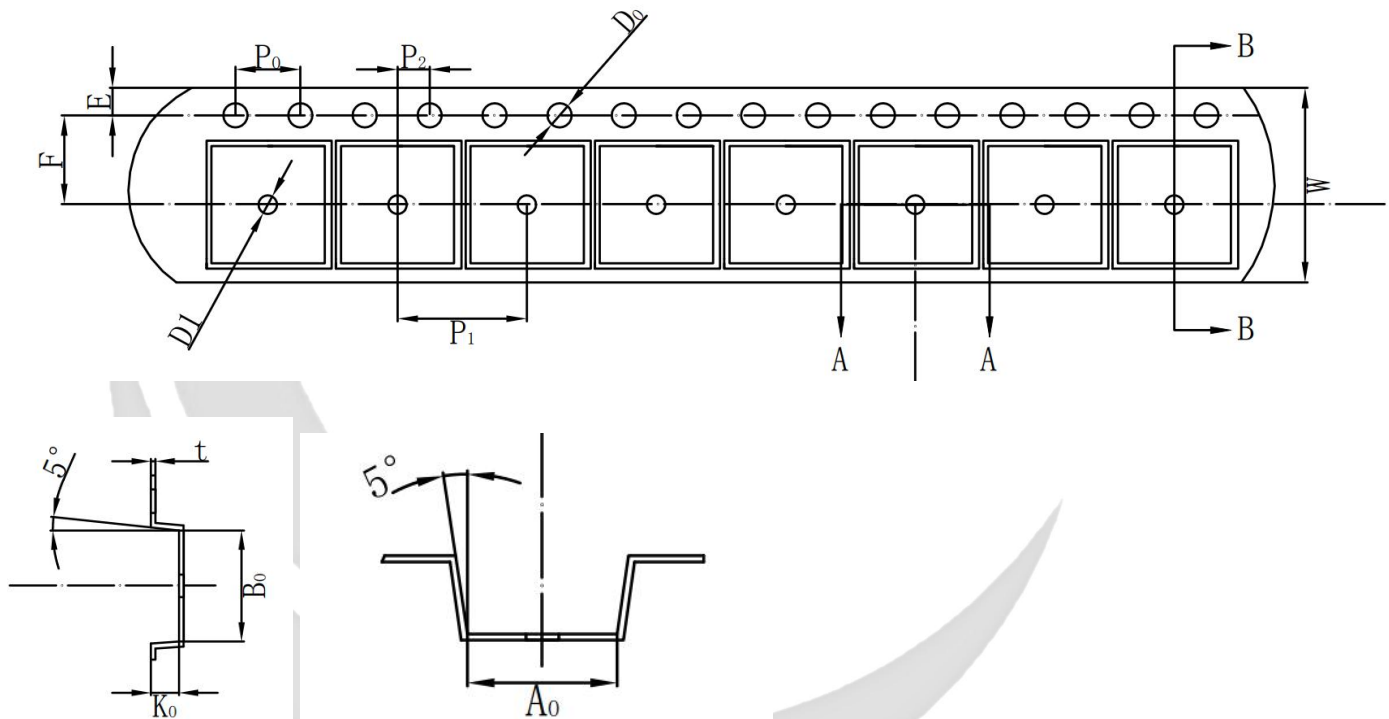
REEL DIMENSIONS



QUADRANT ASSIGNMENTS PIN 1 ORIENTATION TAPE



TAPE DIMENSIONS



Device	Package	Pins	SPQ	Reel Diameter (mm)	Reel Width W1	A0	B0	K0	P1	W	Pin1
GLF4028-T2G7	SOT23-6	6	3000	178	9	3.25	3.30	1.38	4	8	Q3

Remark:

A0: Dimension designed to accommodate the component width

B0: Dimension designed to accommodate the component length

C0: Dimension designed to accommodate the component thickness

W: Overall width of the carrier tape

P1: Pitch between successive cavity centers